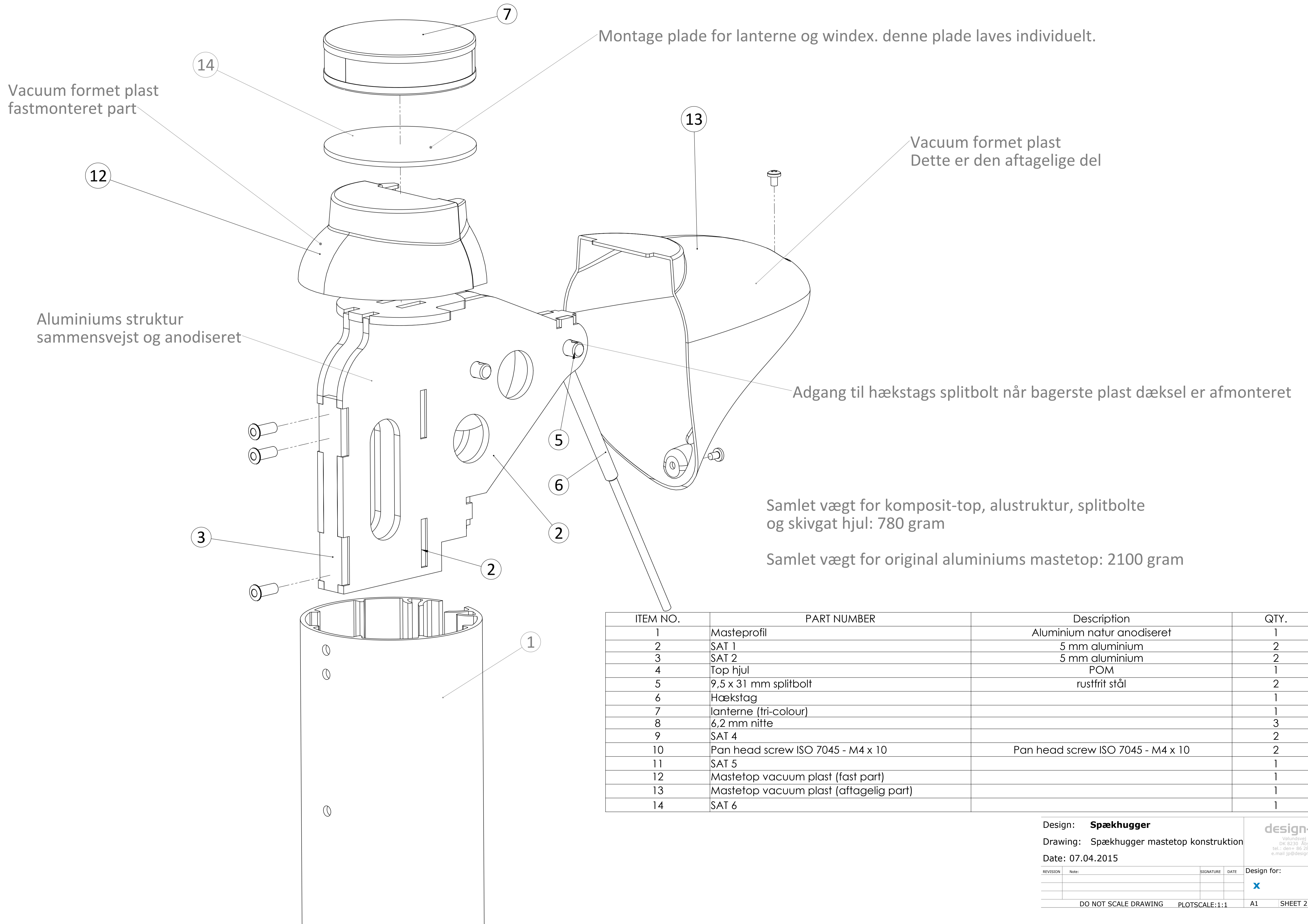


Design: **Spækhugger**
 Drawing: Spækhugger mastetop konstruktion
 Date: 07.04.2015

design-big
 Valundsvej 22
 DK 8230 Åbyhøj
 tel.: den + 45 86 43 02
 e.mail: jp@design-big.dk

REVISION	Note	SIGNATURE	DATE	Design for:

X



ITEM NO.	PART NUMBER	Description	QTY.
1	Masteprofil	Aluminium natur anodiseret	1
2	SAT 1	5 mm aluminium	2
3	SAT 2	5 mm aluminium	2
4	Top hjul	POM	1
5	9,5 x 31 mm splitbolt	rustfrit stål	2
6	Hækstag		1
7	lanterne (tri-colour)		1
8	6,2 mm nitte		3
9	SAT 4		2
10	Pan head screw ISO 7045 - M4 x 10	Pan head screw ISO 7045 - M4 x 10	2
11	SAT 5		1
12	Mastetop vacuum plast (fast part)		1
13	Mastetop vacuum plast (aftagelig part)		1
14	SAT 6		1

Design: **Spækhugger**
 Drawing: Spækhugger mastetop konstruktion
 Date: 07.04.2015

design-big
 Valundsvej 22
 DK 8230 Åbyhøj
 tel.: den + 86 28 83 02
 e.mail: jp@design-big.dk

REVISION	Note	SIGNATURE	DATE	Design for:
				X

DO NOT SCALE DRAWING PLOTSCALE:1:1 A1 SHEET 2 OF 2